

Two-Speed Hand-Pump Hydraulic Press

Model 153

Manufactured for Swade-Sir in Italy



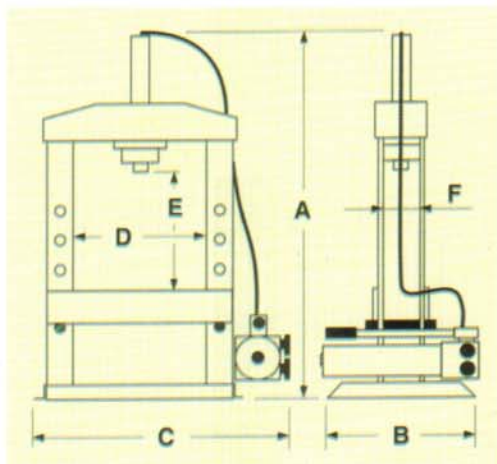
Model No.153 - 10 Tonne

- This Hydraulic Press is fitted with a two-approach speed pump with the automatic return of the ram.
- Closing the two Control valves produces the rapid feed.
- Opening the upper control valve produces the high pressure.
- Shafts are in treated and chromium- plated special steel.
- The machine is complete with plate, V blocks and centres.



Specifications

| | |
|------------------|----------|
| Model | 153 |
| Capacity | 10 Tonne |
| Dimension A (mm) | 1210 |
| Dimension B (mm) | 500 |
| Dimension C (mm) | 910 |
| Dimension D (mm) | 520 |
| Dimension E (mm) | 350 |
| Dimension F (mm) | 120 |
| Ram Stroke (mm) | 190 |
| Weight (kg) | 104 |



Swadesir International Pty Ltd.

5-7 Strong Avenue, Thomastown. 3074

Phone: (03) 9460 3444 Fax: (03) 9460 8777

www.swadesir.com.au Email: infosupport@swadesir.com.au

0102