

## Single Speed Hand-Pump Hydraulic Press

Model 152

Manufactured for Swade-Sir in Italy

Model No.152 - 6 Tonne

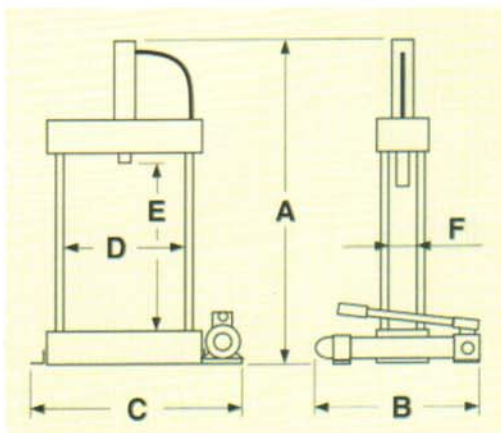


- This Hydraulic Press is fitted with a single speed hand-pump and spring return cylinder
- Both ram and pump can be easily detached for portable use, making this unit very practical.



### Specifications

Capacity	6 Tonne
Dimension A (mm)	820
Dimension B (mm)	560
Dimension C (mm)	550
Dimension D (mm)	320
Dimension E (mm)	510
Dimension F (mm)	67
Ram Stroke (mm)	115
Weight (kg)	43



Swadesir International Pty Ltd.  
5-7 Strong Avenue, Thomastown. 3074  
Phone: (03) 9460 3444 Fax: (03) 9460 8777  
www.swadesir.com.au Email: infosupport@swadesir.com.au

0101